

623

330
1-9

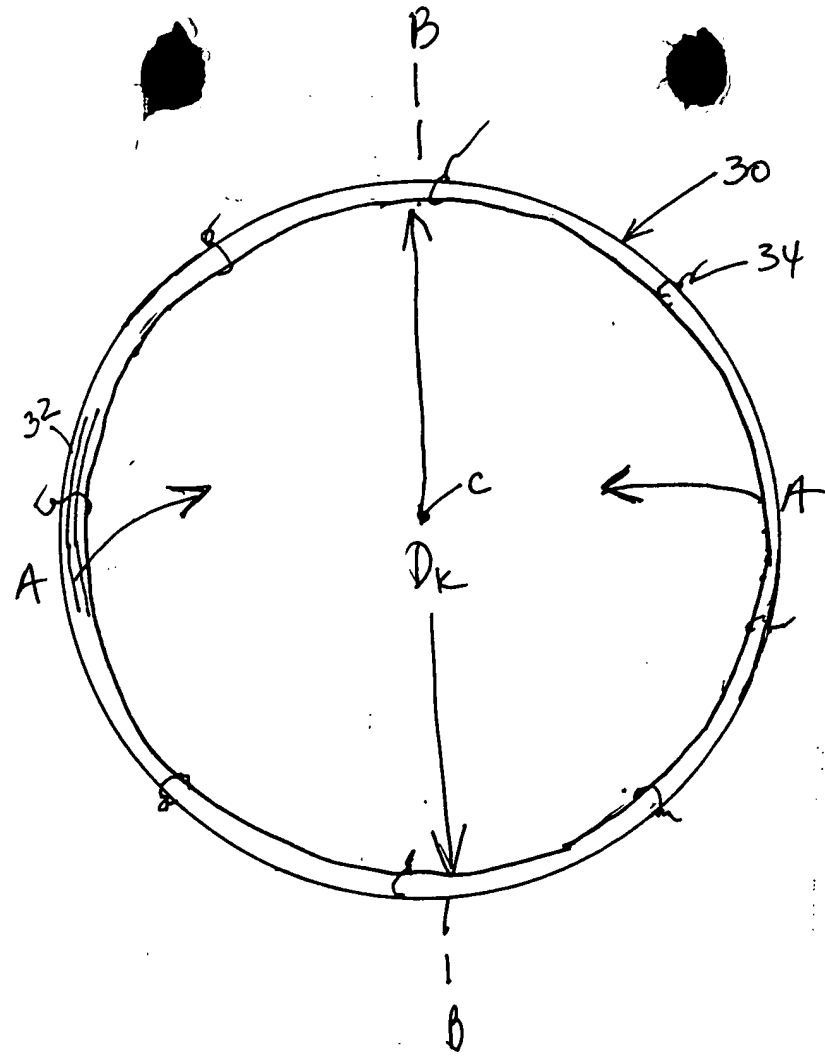


Fig. 1

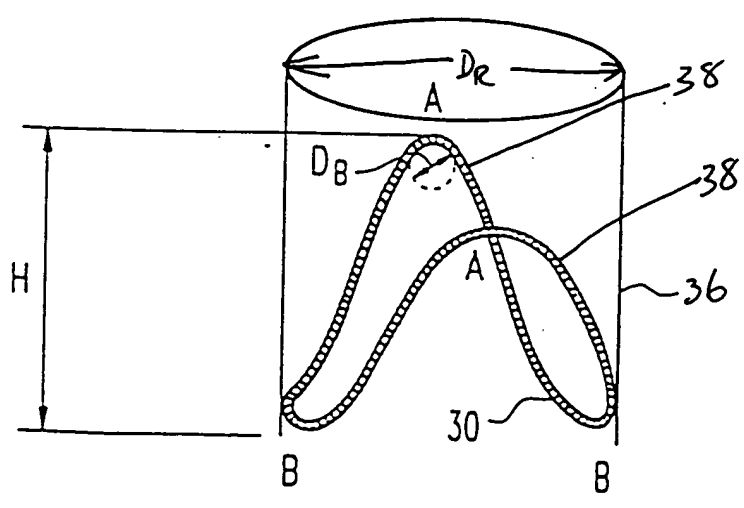


Fig. 2

SECRET 000000000000

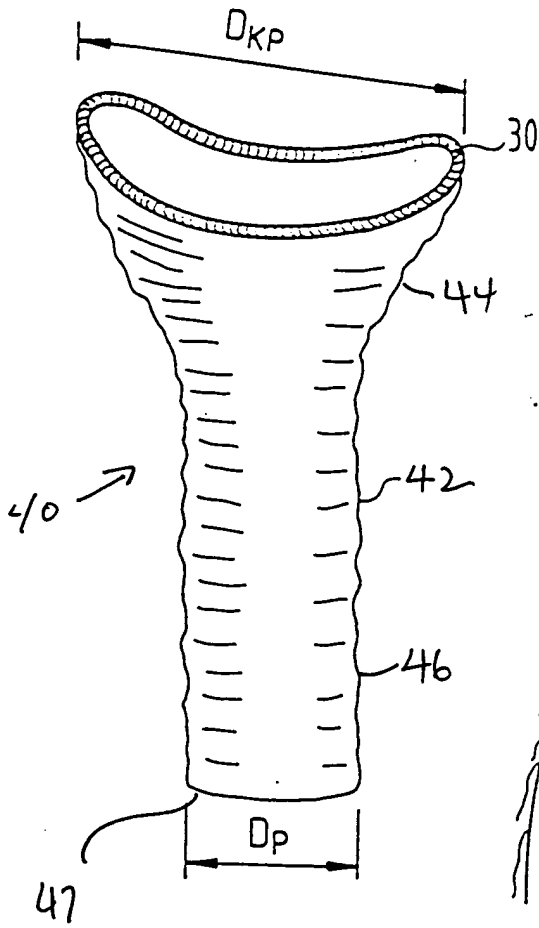


Fig. 3

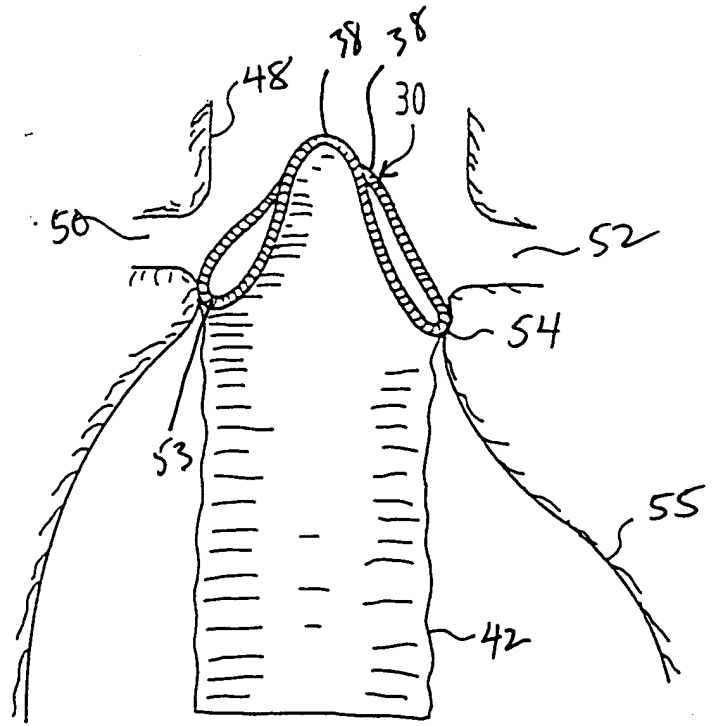


Fig. 4

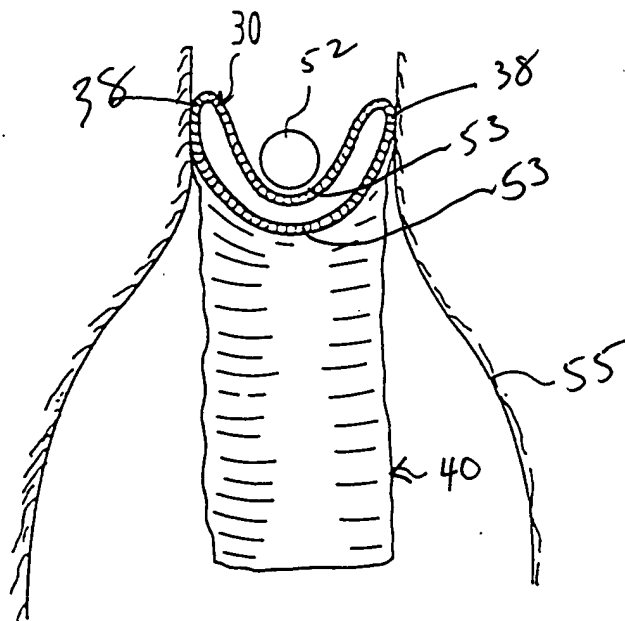


Fig. 5

2025 RELEASE UNDER E.O. 14176

AS PUBLISHED

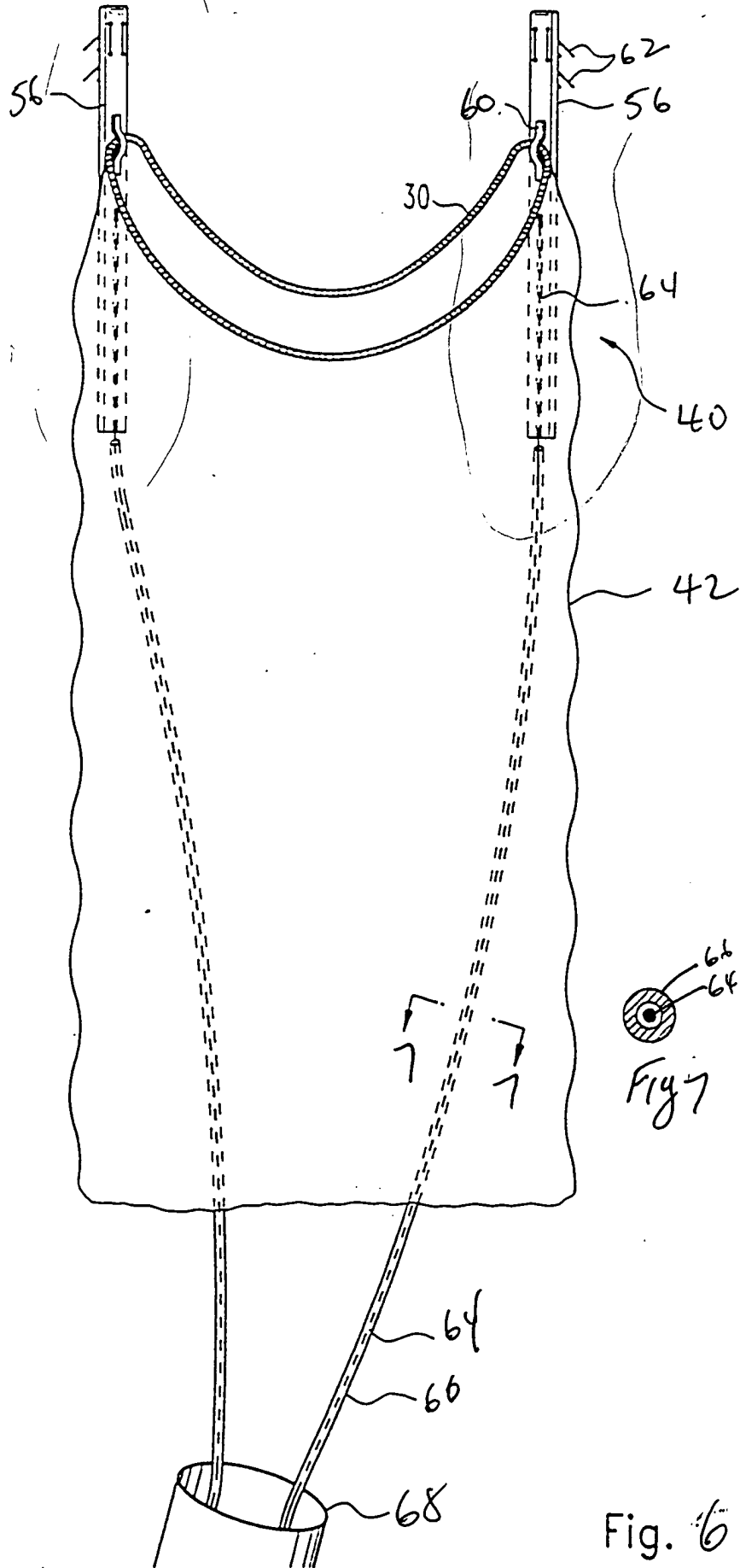


Fig. 6

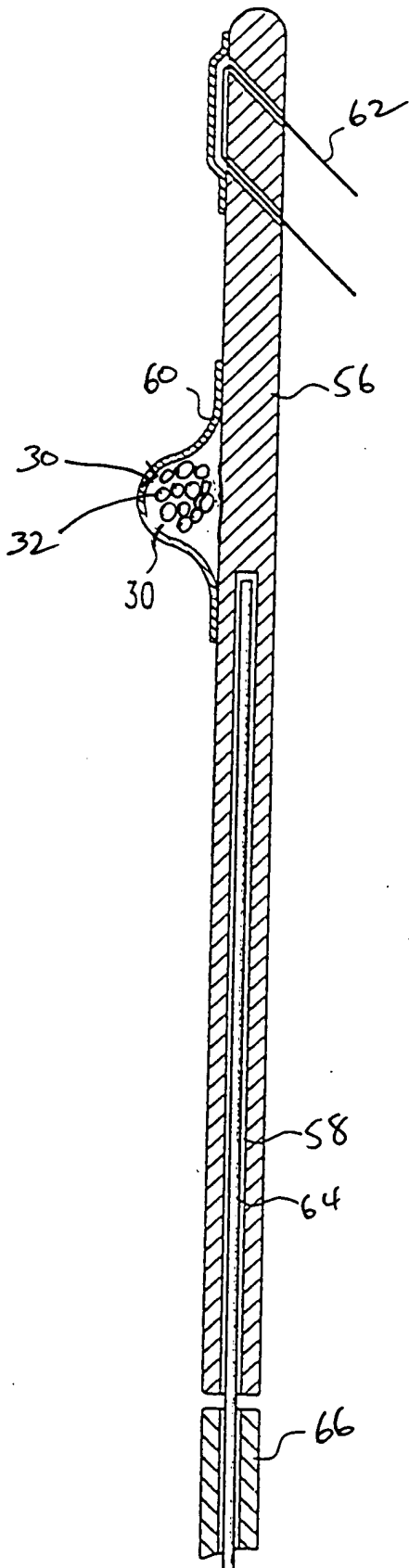


Fig. 10

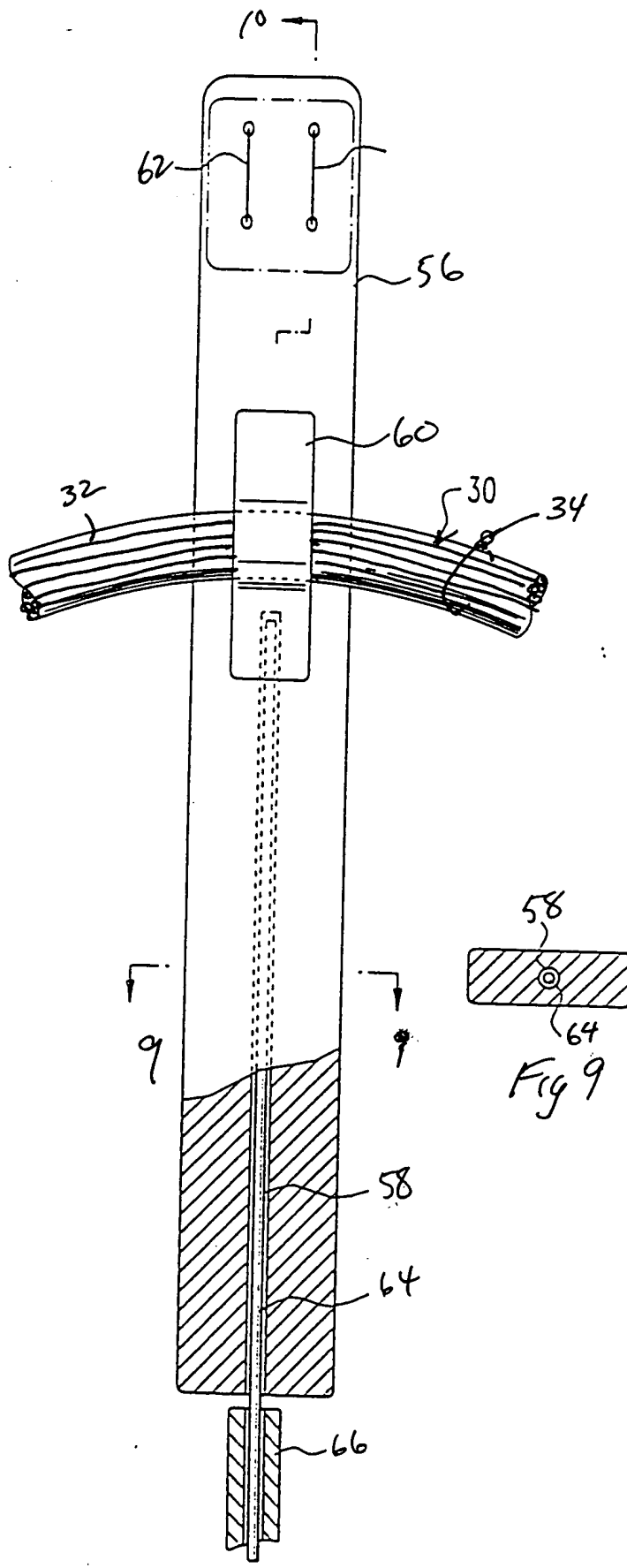


Fig. 8

PATENT OFFICE

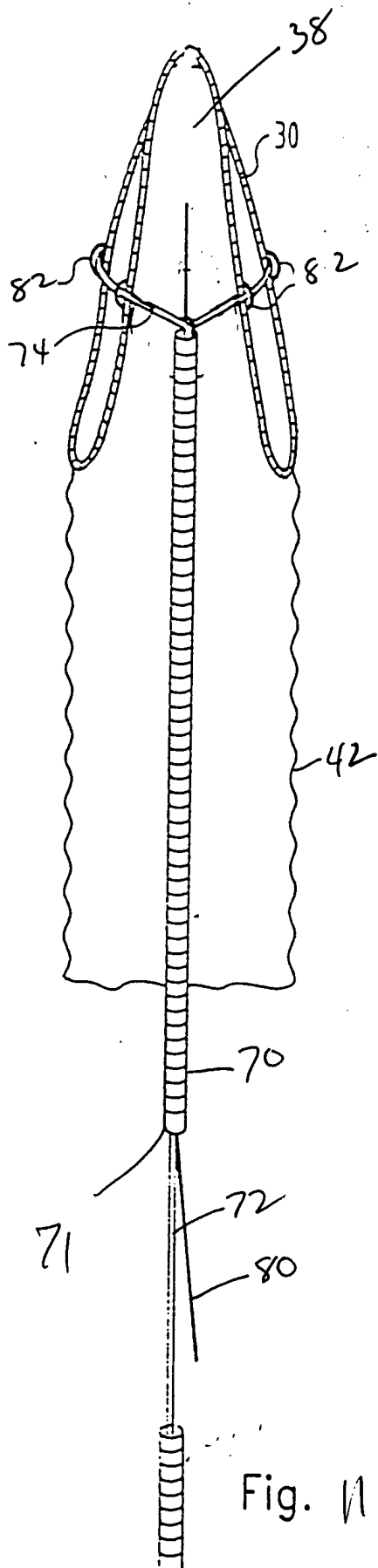


Fig. 11

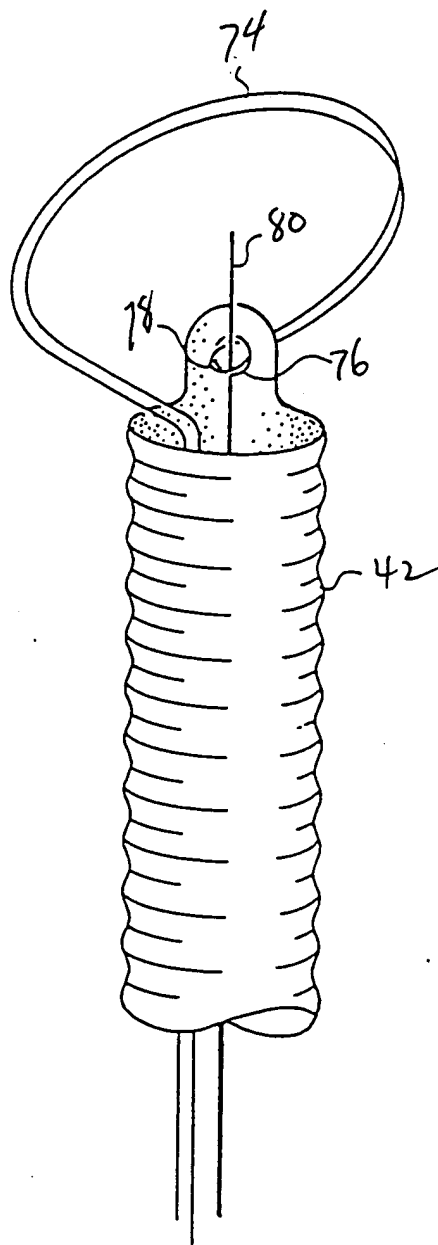


Fig. 12

APR 20 1968

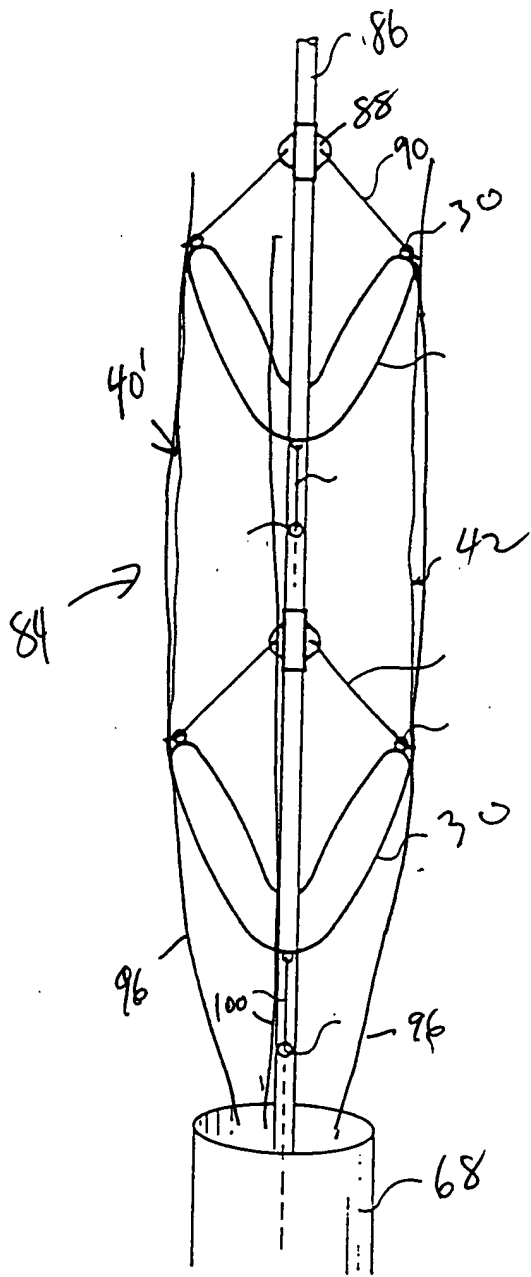


Fig. 13

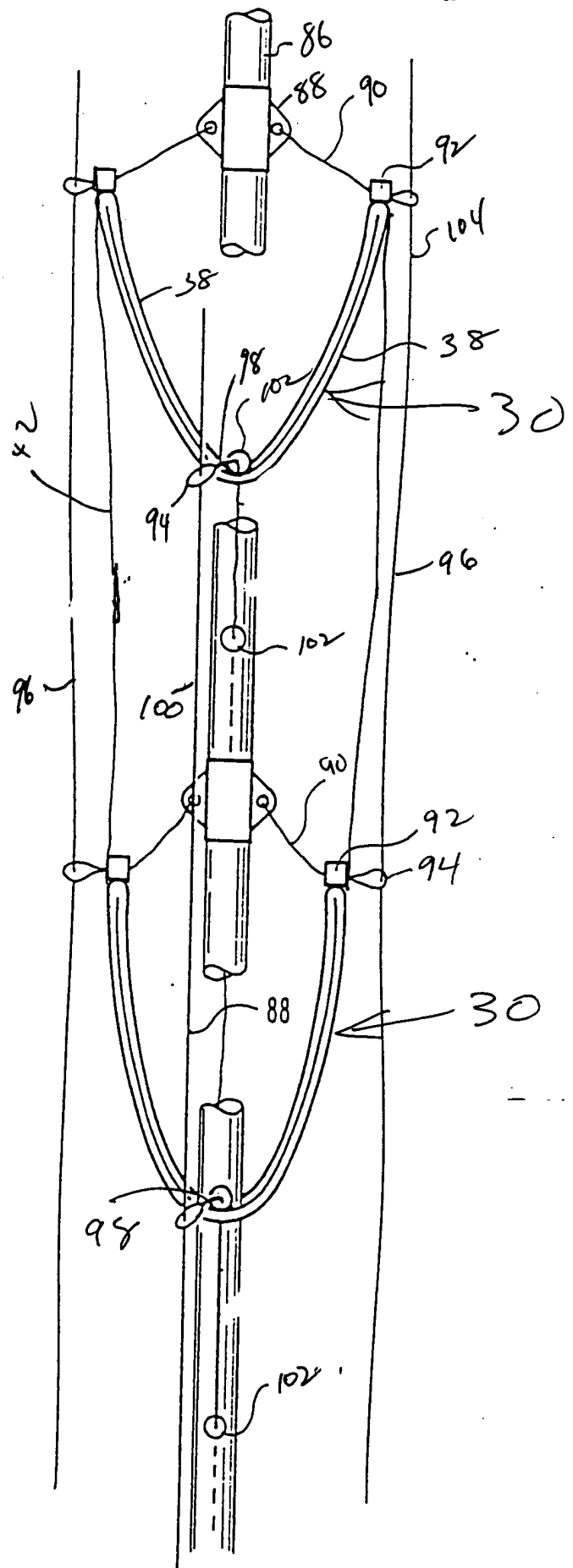


Fig. 14

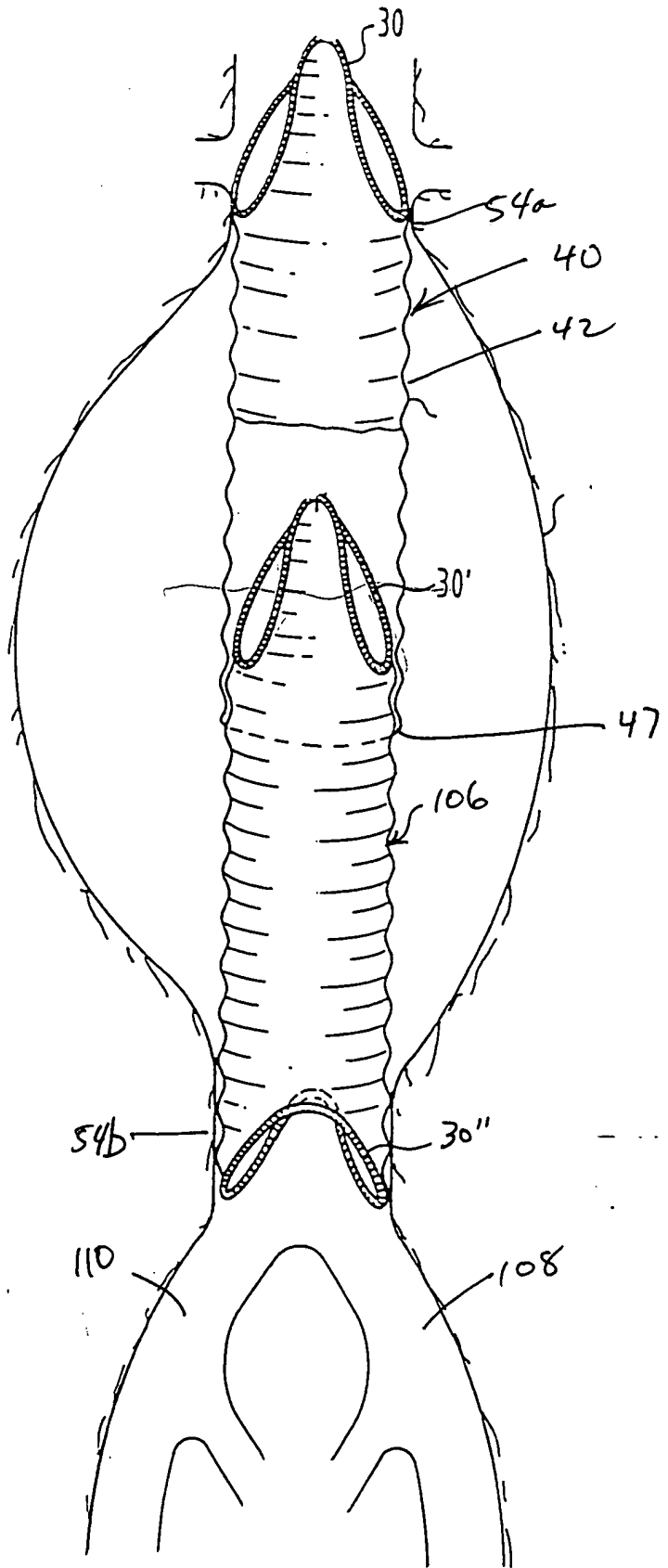
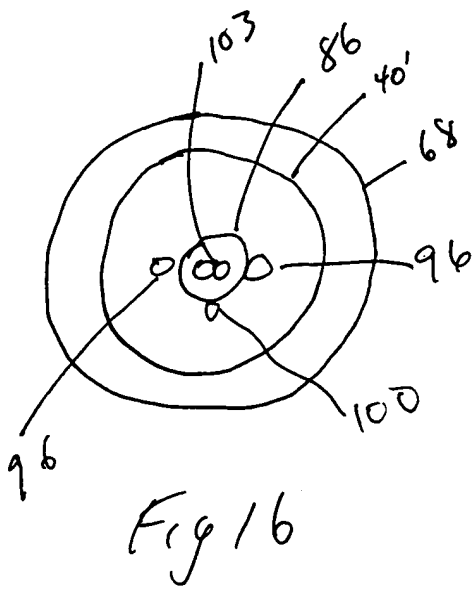
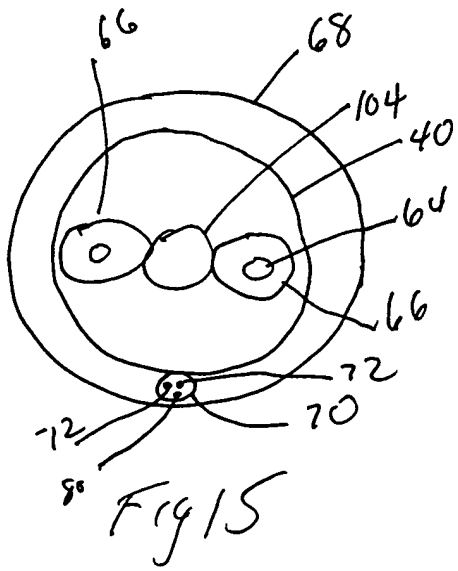


Fig. 17

ACCEPTED FOR PUBLICATION

45190-00000000

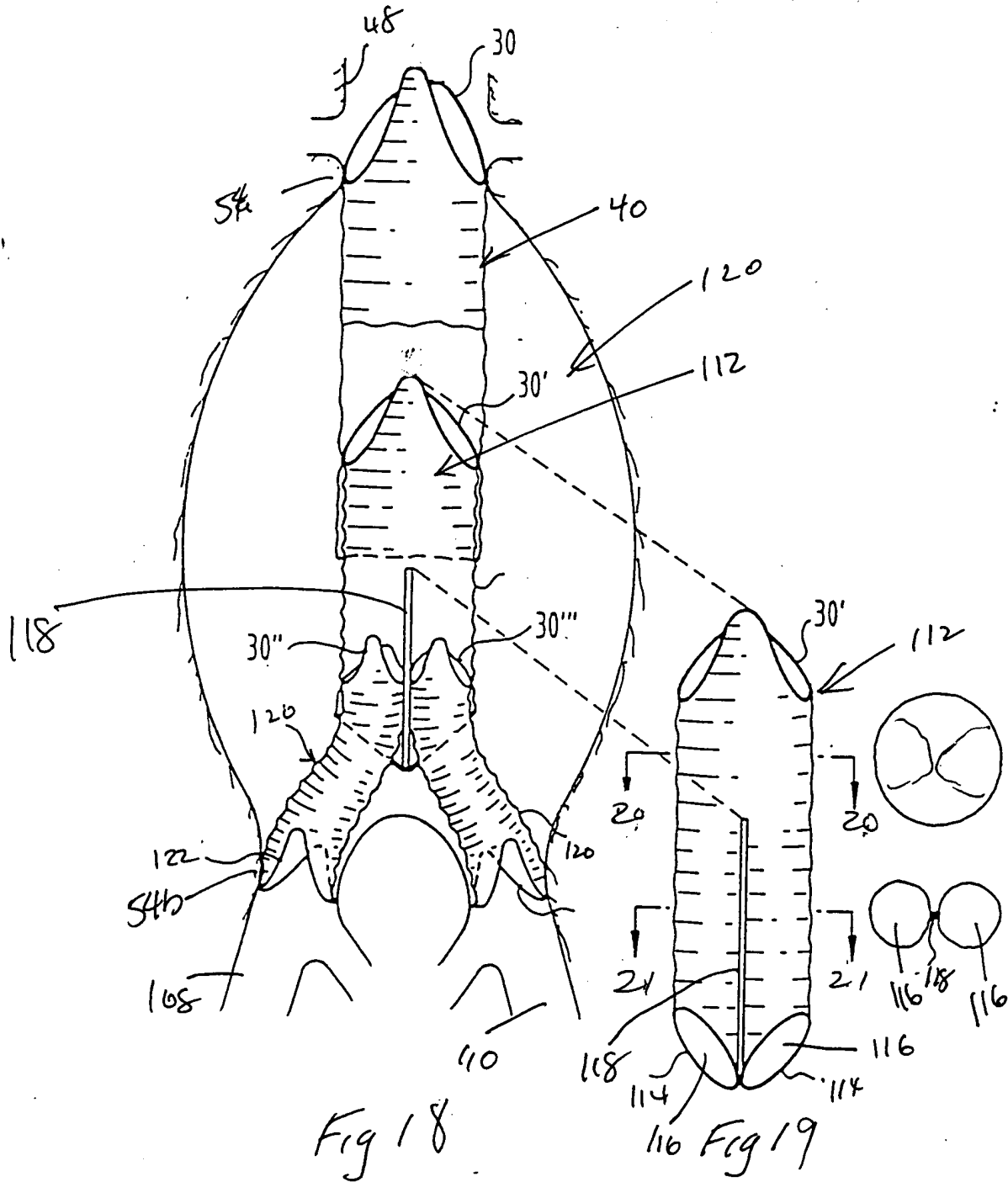


Fig 18

Fig 19

Fig 20

Fig 21

25790-905288

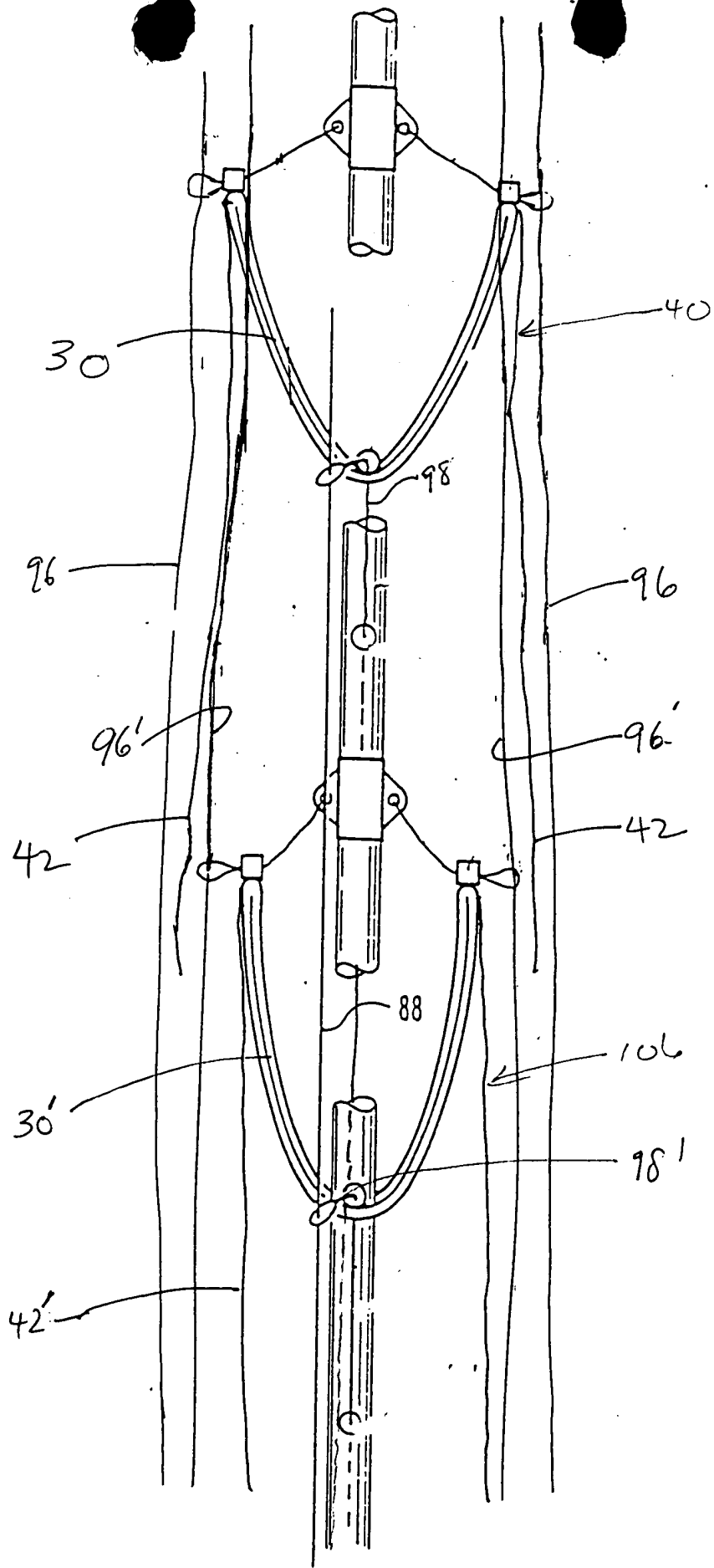


Fig 22

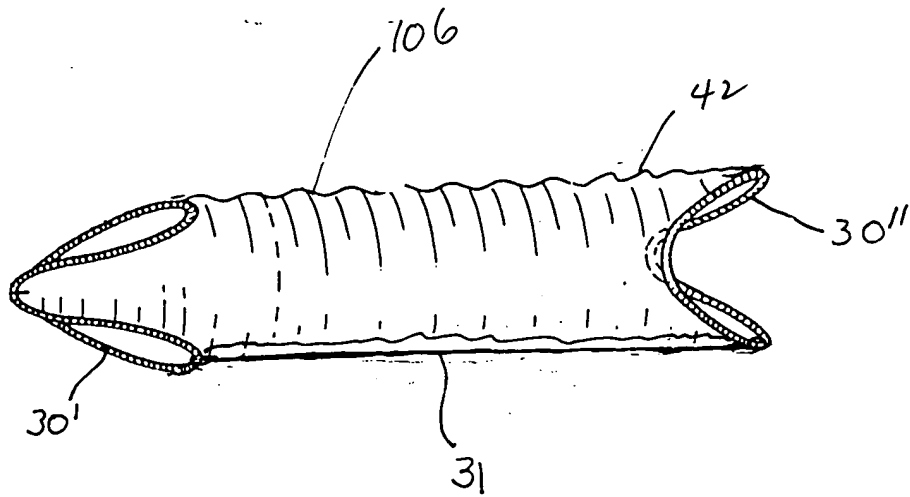


Fig 23

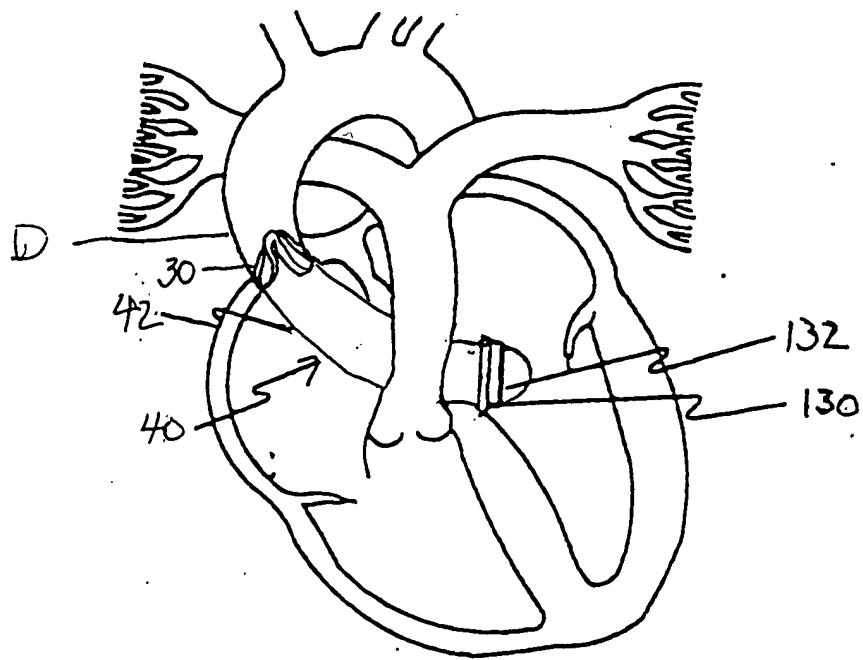


FIG. 24

REPRODUCED FROM THE ORIGINAL